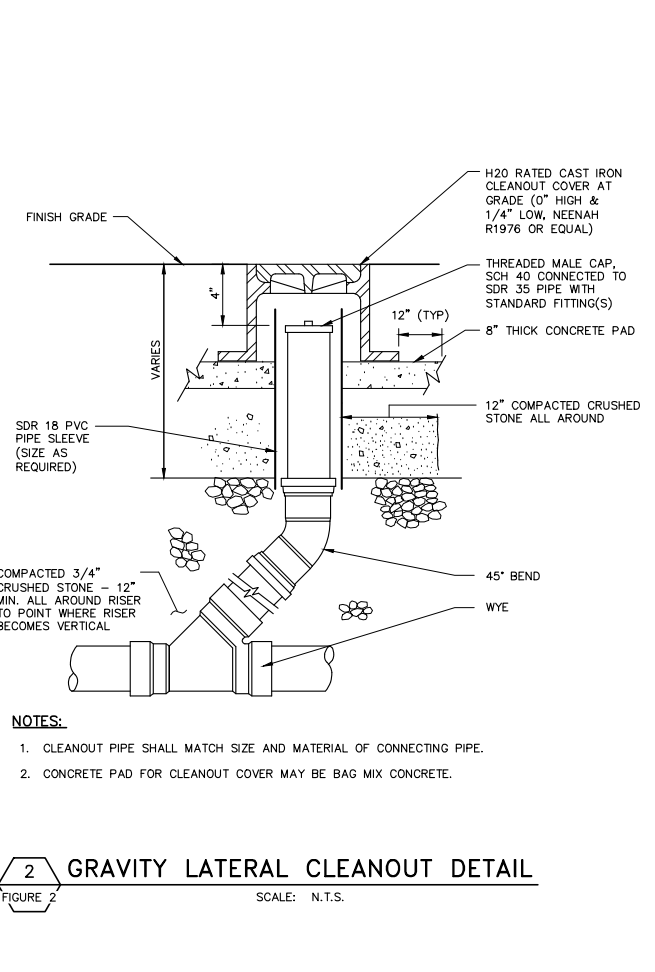
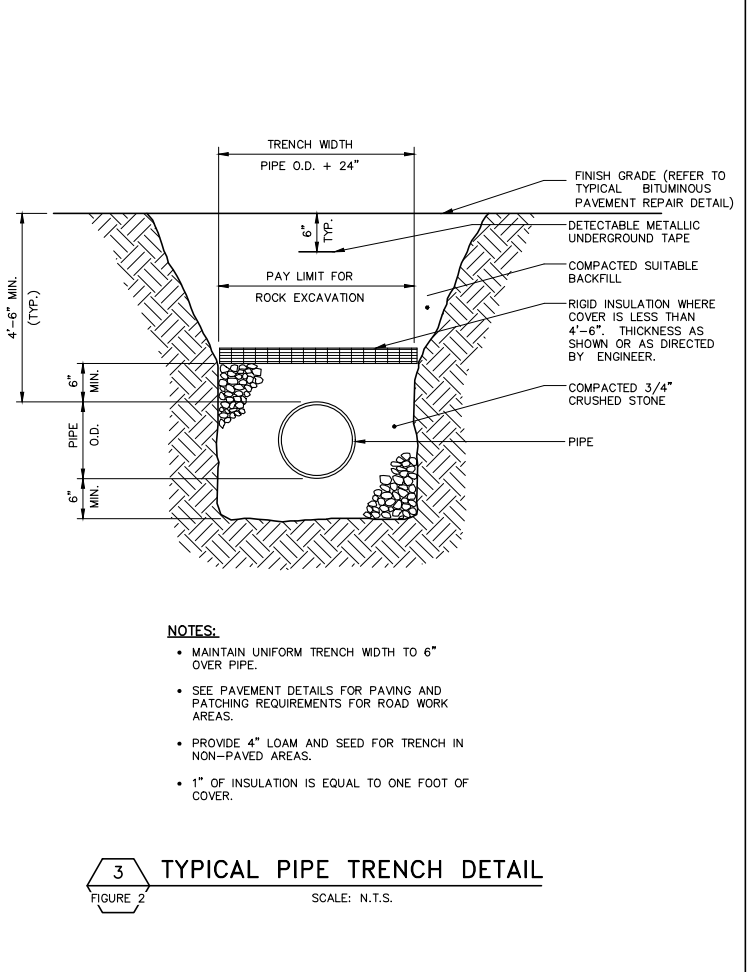


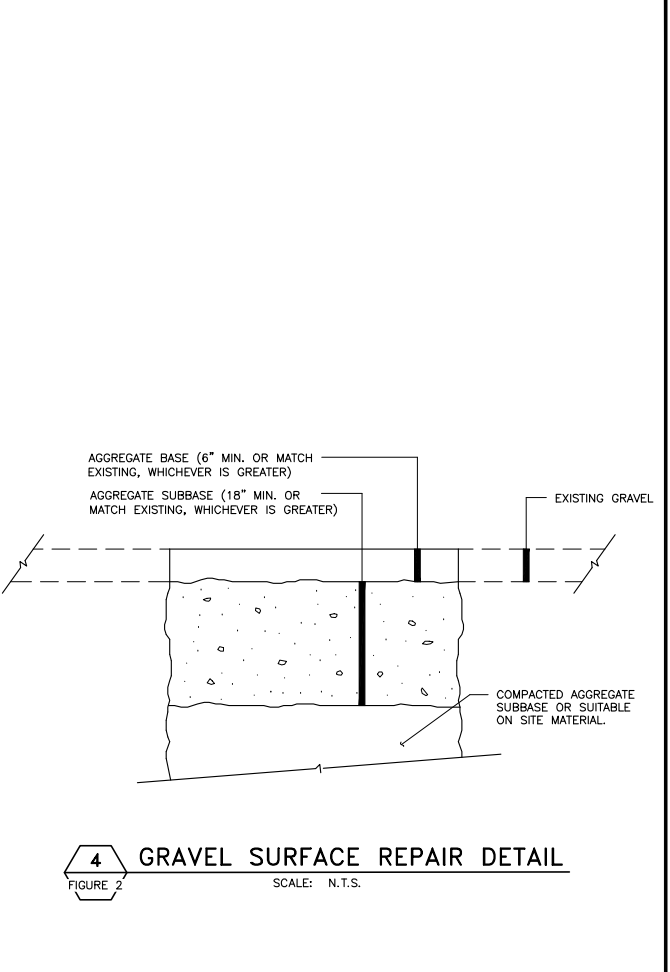
**1** PRESSURE LATERAL CLEANOUT DETAIL  
SCALE: N.T.S.



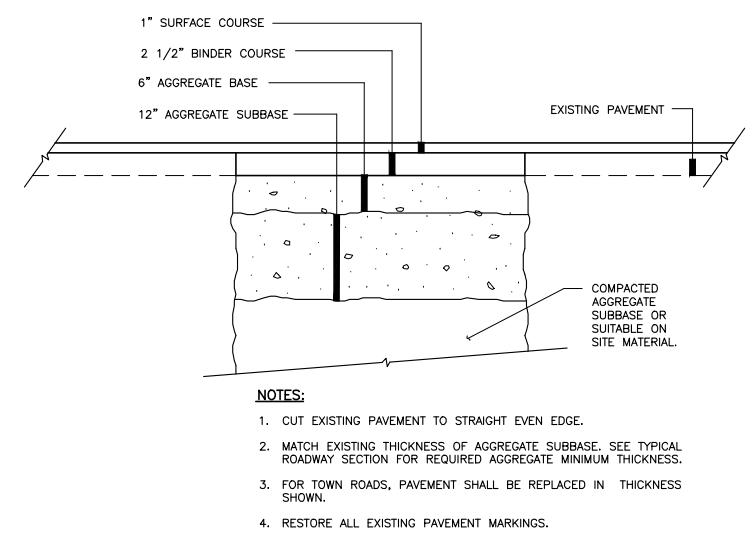
**2** GRAVITY LATERAL CLEANOUT DETAIL  
SCALE: N.T.S.



**3** TYPICAL PIPE TRENCH DETAIL  
SCALE: N.T.S.



**4** GRAVEL SURFACE REPAIR DETAIL  
SCALE: N.T.S.



**5** TYPICAL BITUMINOUS PAVEMENT REPAIR DETAIL - TOWN ROADS AND DRIVEWAYS  
SCALE: N.T.S.

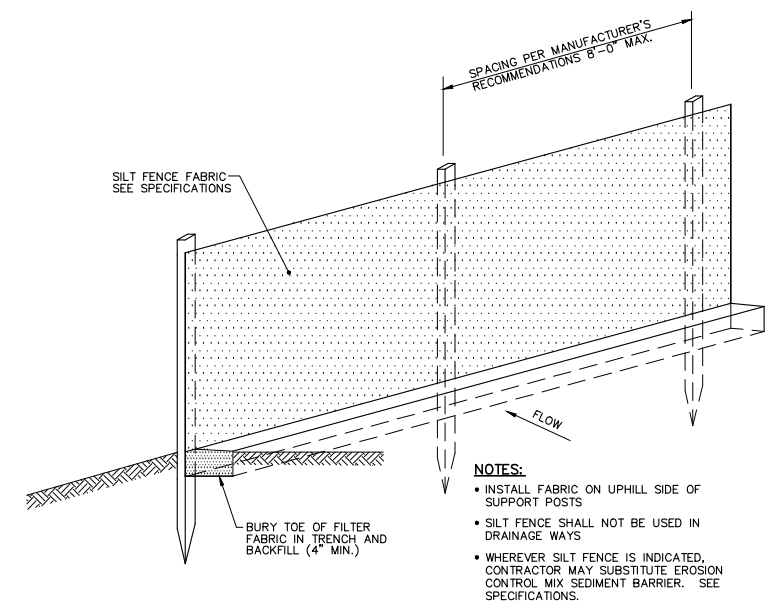
- PRIOR TO THE START OF GRADING, SEDIMENT BARRIERS WILL BE INSTALLED AS SHOWN ALONG ALL AREAS TO BE DISTURBED.
- ALL DISTURBED AREAS WILL BE STABILIZED WITHIN 15 DAYS OF FINAL GRADING, OR TEMPORARILY STABILIZED WITHIN 30 DAYS OF INITIAL DISTURBANCE OF SOIL.
- ALL AREAS GRADED OR OTHERWISE DISTURBED OUTSIDE PAVED, OR GRAVELED AREAS WILL BE MULCHED AND SEEDED FOR PERMANENT GRASS COVER. SEED MIX AS LISTED BELOW, SHALL BE USED.

SEED	lb/acre	lb/1000ft <sup>2</sup>
Creeping Red Fescue	32.67	0.75
Tall Fescue	32.67	0.75
Parennial Rye	52.27	1.20
White Clover	6.53	0.15
Birdsfoot Trefoil	3.92	0.09
Red Top	2.61	0.06
Total	130.68	3.00

- ANY AREA NOT SEEDED BY SEPTEMBER 1 SHOULD BE DORMANT SEEDED AFTER THE FIRST KILLING FROST. SEEDING RATES SHOULD BE DOUBLED FOR DORMANT SEEDED. IF ANY SEEDING CANNOT BE ACCOMPLISHED BY OCTOBER 15, TEMPORARY MULCHING WILL BE APPLIED UNTIL THE NEXT GROWING SEASON. HAY OR STRAW MULCH ANCHORED WITH NETTING WILL BE APPLIED AT A RATE OF 90-100 BALES PER ACRE.
- NO FLOW SHALL BE ALLOWED IN ANY SWALES UNTIL SOIL IS STABILIZED WITH VEGETATION.
- AFTER THE ENTIRE AREA IS STABILIZED WITH PERMANENT VEGETATION, ALL TEMPORARY EROSION CONTROL MEASURES WILL BE REMOVED.
- ALL PAVED AREAS WILL BE SWEEPED AS NECESSARY TO REDUCE DUST AND TRACKING. ALL TEMPORARY EROSION MEASURES, INCLUDING SEDIMENT BARRIERS, STONE CHECK DAMS AND MULCH WILL BE INSPECTED AND REPAIRED AS NECESSARY AFTER EVERY SIGNIFICANT RAINFALL. PERMANENT MEASURES WILL BE INSPECTED AFTER SIGNIFICANT RAINFALL UNTIL THEY ARE FULLY STABILIZED.

MAINE E&S HANDBOOK - "MAINE EROSION AND SEDIMENT CONTROL HANDBOOK FOR CONSTRUCTION: BEST MANAGEMENT PRACTICES" CUMBERLAND COUNTY SWCD, DEPT. OF ENVIRONMENTAL PROTECTION, LATEST EDITION.

**6** EROSION CONTROL NOTES  
SCALE: N.T.S.



**7** TYPICAL SILTATION FENCE DETAIL  
SCALE: N.T.S.

41 Hutchins Drive  
Portland, Maine 04102  
800.426.4252 | www.woodardcurran.com

**WOODARD & CURRAN**

COMMITMENT & INTEGRITY DRIVE RESULTS

THIS DOCUMENT IS THE PROPERTY OF WOODARD & CURRAN, INC. AND ITS CLIENT. REPRODUCTION OR MODIFICATION WITHOUT WRITTEN PERMISSION IS PROHIBITED.

REV	DESCRIPTION	DATE

CHECKED BY: RTP  
02267332-FIG2.dwg

DESIGNED BY: JMP  
DRAWN BY: JDE

CONSTRUCTION DETAILS

LINCOLNVILLE SEWER DISTRICT  
LINCOLNVILLE, MAINE

WASTEWATER SERVICE LATERAL CONNECTIONS

JOB NO.: 0226733.02  
DATE: DECEMBER, 2020  
SCALE: AS NOTED  
SHEET: OF

**FIGURE 2**